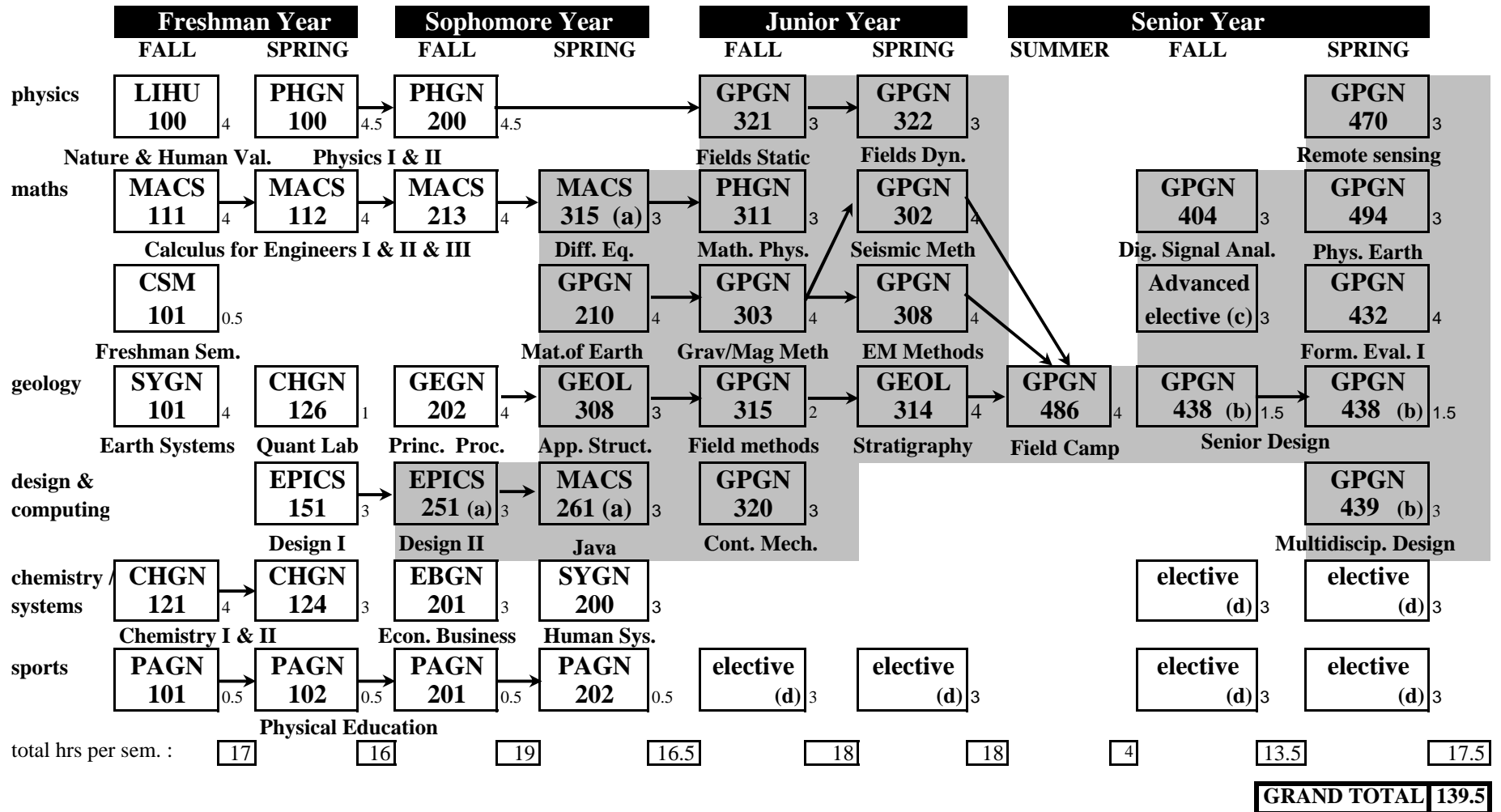


student name \_\_\_\_\_  
 number \_\_\_\_\_

## Geophysics Undergraduate Study Flowchart

Department of Geophysics



- (a) In fall semester, sophomores should take the section of EPIC251 offered by Geophysics Department on Introduction to Scientific Computing. In spring semester, sophomores take a course on object oriented programming (see Department for current requirement).
- (b) Students can take either GPGN438 or GPGN439 for their Senior Design Requirement. The multidisciplinary design course GPGN439 is strongly recommended for students interested in Petroleum Exploration and Production. GPGN438 is a variable credit-hour course that students can register in either or both Fall and Spring semesters of their senior years. Students must earn a total of 3 credit hours in GPGN438.
- (c) Students must take one advanced elective chosen from advanced GP methods courses [GPGN414 (spring), 422 (fall), 452 (fall)], or courses at 300 level and above from engineering and science departments at CSM (approval by advisor) and other universities (approval by UAC).
- (d) Three of the electives must be chosen from ONE of the four LAIS (Liberal Arts & International Studies) clusters