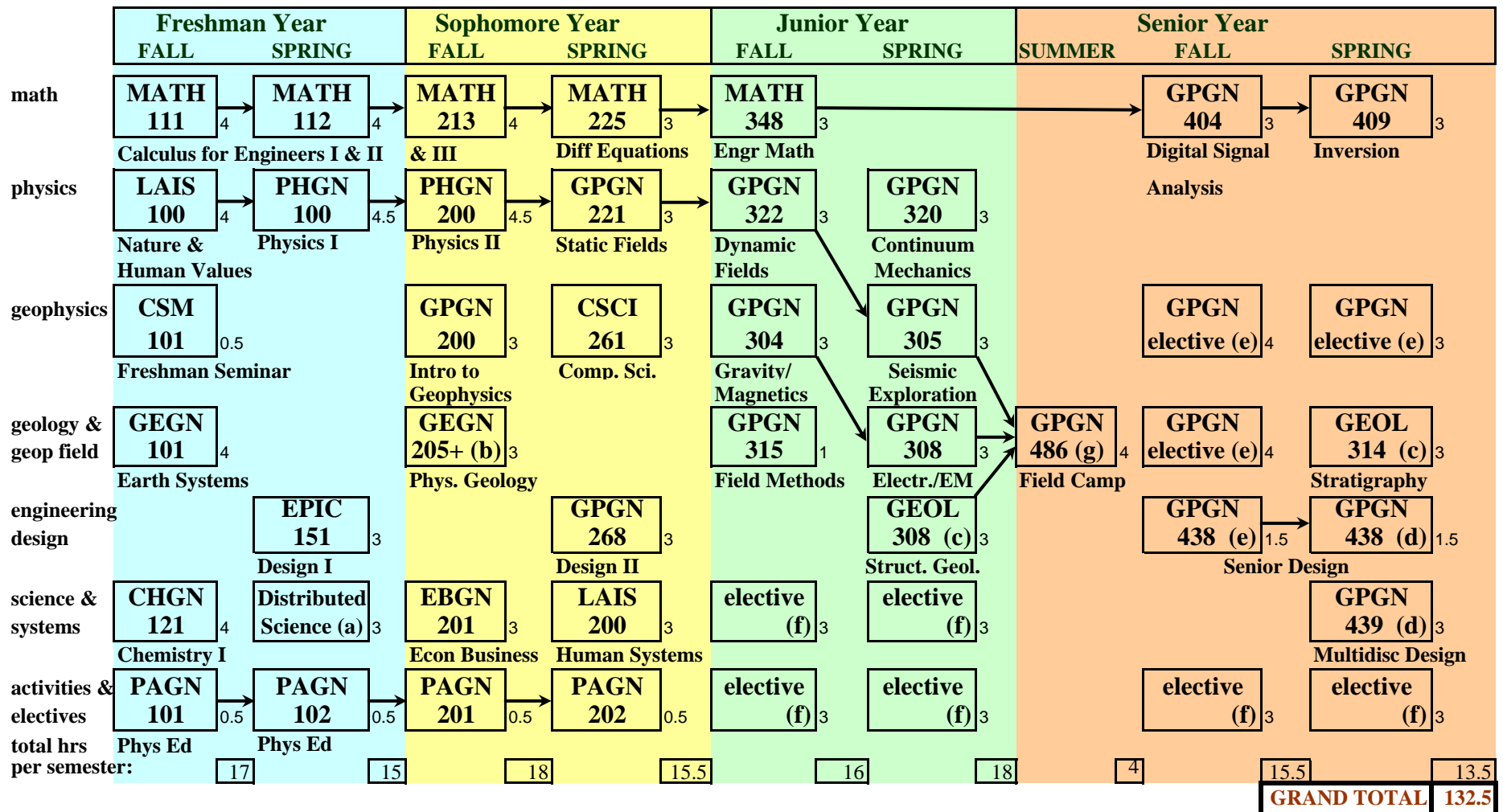


student name _____
 number _____

Geophysics Undergraduate Study Flowchart (Bulletin 2015-2016)

Department of Geophysics



- (a) Students take a 3rd distributed science course. Those with no computer programming experience should take CSCI101. We also recommend MATH201.
- (b) Students must take GEGN205 (1 credit hour) with either GEGN203 or GEGN204 (2 credit hours).
- (c) Students must take (1) either GEOL308 (3 credits) or GEOL309 (4 credits), and (2) either GEOL314 (4 credits) or GEOL315 (3 credits).
- (d) Students may take either GPGN438 or GPGN439 for their Senior Design Requirement. The multidisciplinary design course GPGN439 is strongly recommended for students interested in Petroleum Exploration and Production. GPGN438 is a variable credit-hour course for which students can register in either or both Fall and Spring semesters of their senior years. Students must earn a total of 3 credit hours in GPGN438.
- (e) Students must take at least 11 hours of advanced GPGN elective courses at the 400- or 500-level.
- (f) Electives must include at least 9 hours that meet LAIS core requirements.